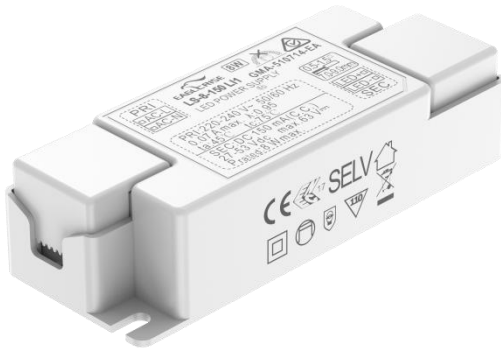




8W Constant Current power supply



■ Approve



Features

- Class II, SELV, independent
- Input Voltage 220-240VAC
- Protections: SCP/OLP/OVP
- Power Factor : 0.95
- Efficiency 78%
- 5 years warranty

Applications

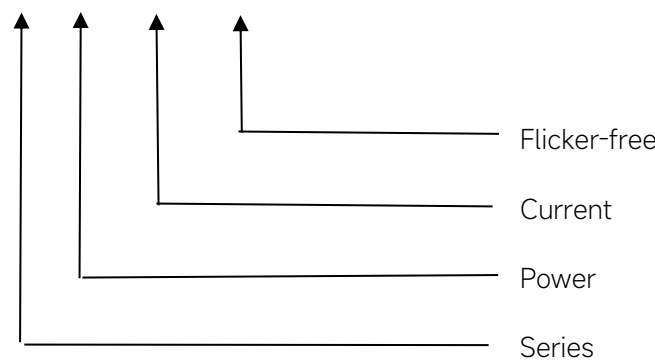
- LED panel, LED down light
- LED spot light

◆ Description

LS-8-XXX LI1 is a 8W constant current LED driver that operates from 176-264Vac input with 120 to 350mA output current. With it's compact dimensions from 100 x 38 x 25mm it is easy to integrate in LED Panel, spot, down lights. To ensure trouble-free operation, protection is provided against output short circuit and over Load.

◆ Model code

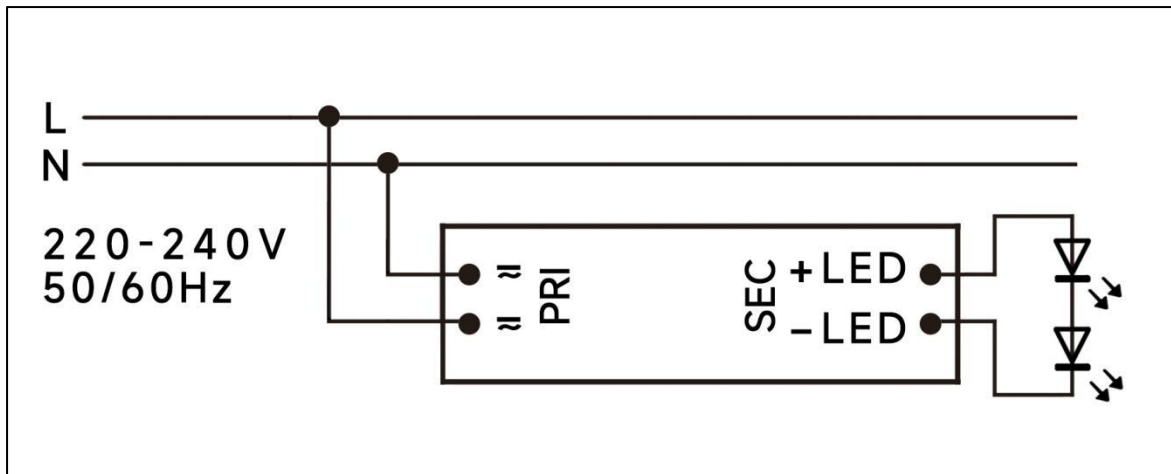
LS-8-XXX LI1



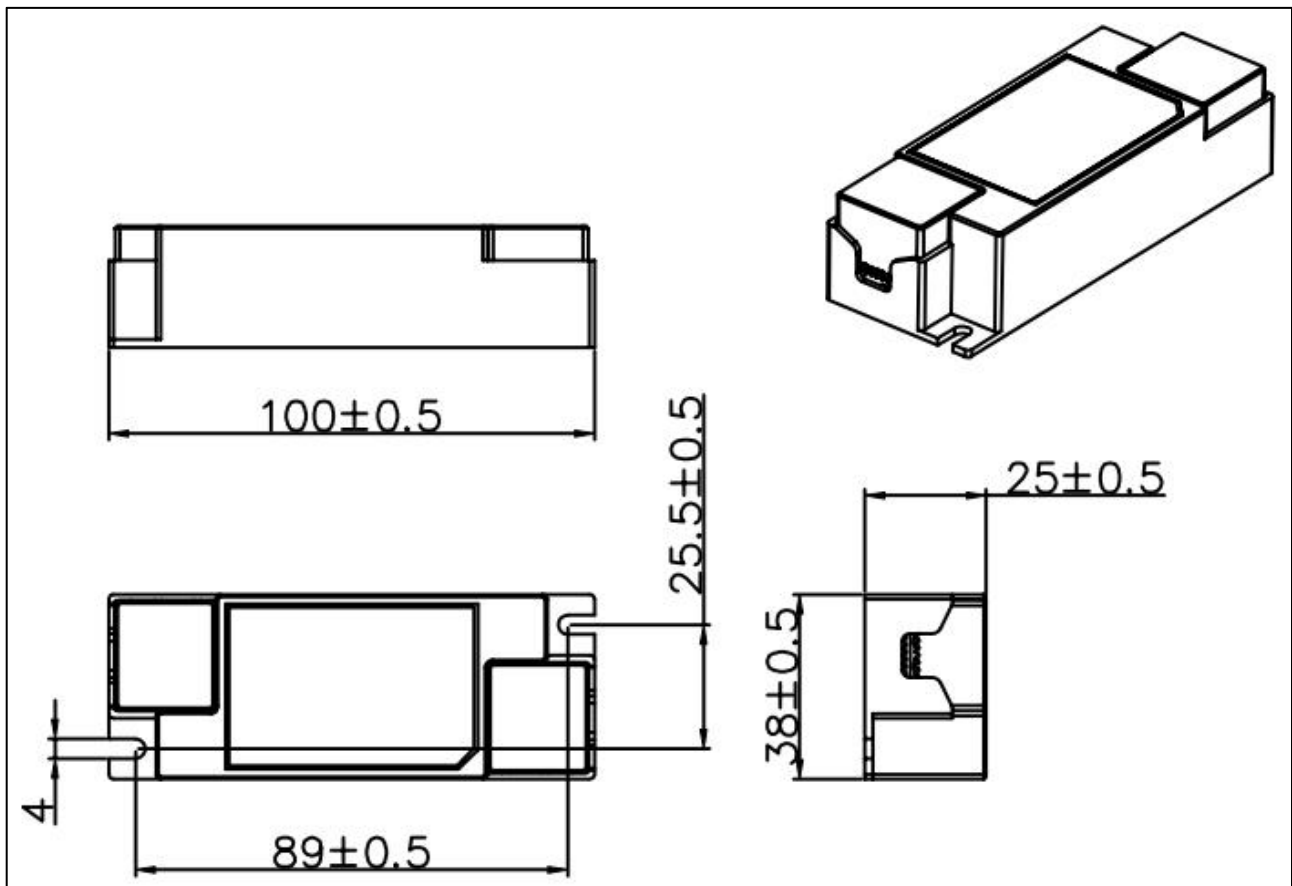
◆ Specification

	Constant Current	120mA	150mA	200mA	220mA	300mA	350mA	
Output	Voltage Range	27-54VDC	27-53VDC	22-42VDC		14-27VDC	12-24VDC	
	Unload voltage Max.	63VDC		50VDC		35VDC	32VDC	
	Current Accuracy	±5%						
	Output HF current ripple(≥1KHz)	±5%						
	Output LF current ripple(≤120Hz)	±3%						
	SVM	≤0.4						
	P _{st}	≤1						
	Efficiency(Typ.)	78%						
	Input	Rated input voltage	220-240VAC					
Range of input voltage		176-264VAC						
Rated input voltage(DC)		NA						
Frequency(Hz)		50/60 Hz						
Displacement factor		≥0.5						
Power Factor		0.95						
Input Current max		0.07A						
Start-up time		< 0.5S						
No Load Power		≤0.5W						
THD (Typ.)		< 25%						
Protection	Over Load Protection	103-120%						
		YES/Auto Resume						
	Over Voltage Protection	63VDC		50VDC		35VDC	32VDC	
		YES/Auto Resume						
	Short circuit Protection	YES/Auto Resume						
Environment	Operating Temperature	-20°C~+45°C						
	Humidity	10%-90%RH						
	T _c	75°C						
	Storage Temperature	-25°C~+60°C						
	Life time	> 50000h@T _c =75°C						
Surface	Dimension	100X38X25(LXWXH)mm						
standards	EN 61347-1; EN61347-2-13; EN62384; EN55015; EN61000-3-2 ; EN61000-3-3; EN 61547;							
Others	ErP	EU 2019/2020						
	RoHS	RoHS (2011/65/EU) (EU)2015/863						
Note	<p>1.All parameters NOT specially mentioned are measured at 230VAC input , full load and 25°C of ambient temperature.</p> <p>2.Ripple & Noise are measured at 20MHz of bandwidth by using a 300mm twisted pair-wire terminated with a 0.1uF & 47 uF parallel capacitor.</p>							

◆ Wiring diagram



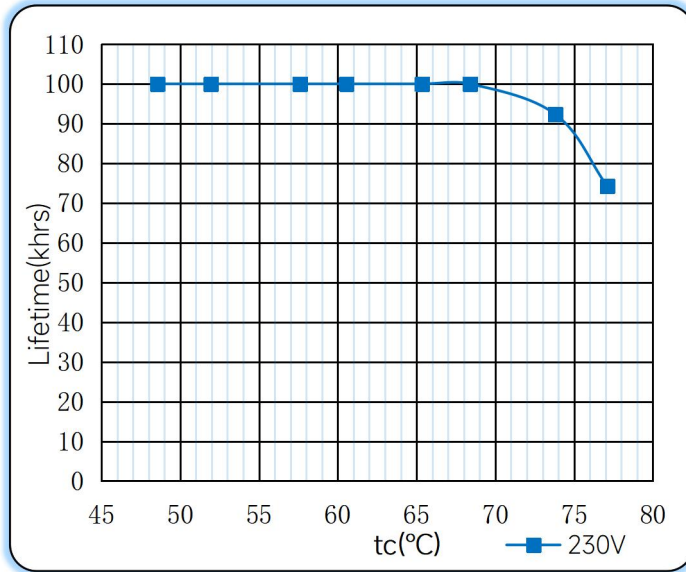
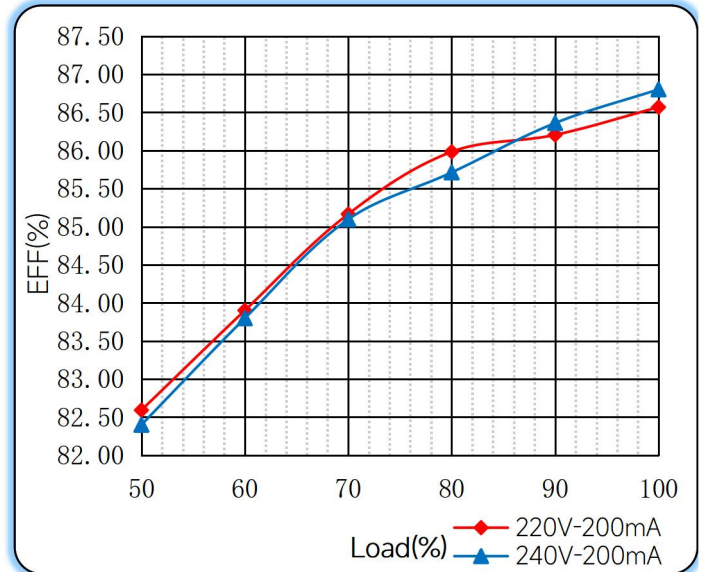
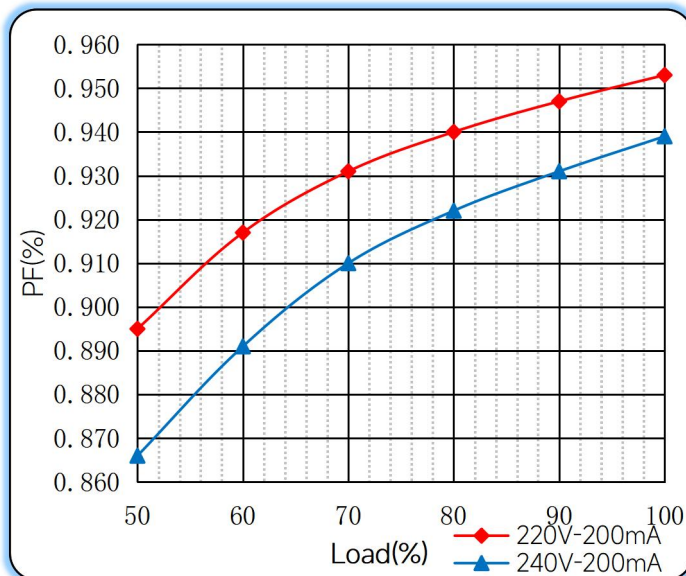
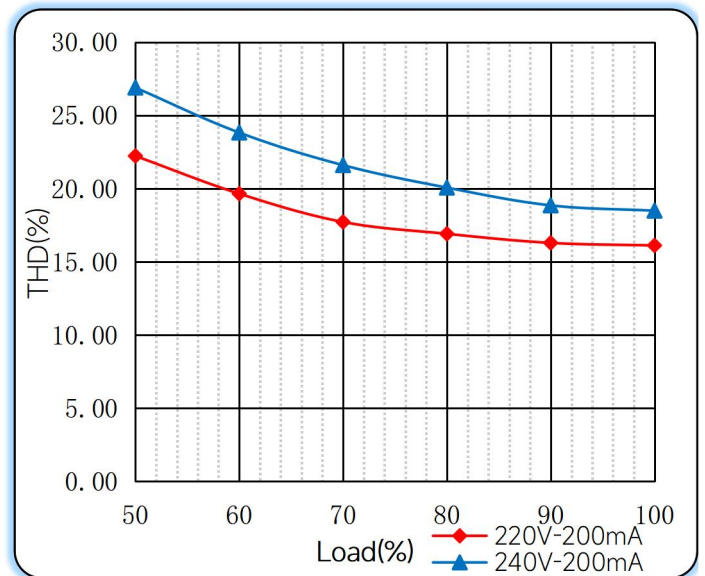
◆ 2D diagram



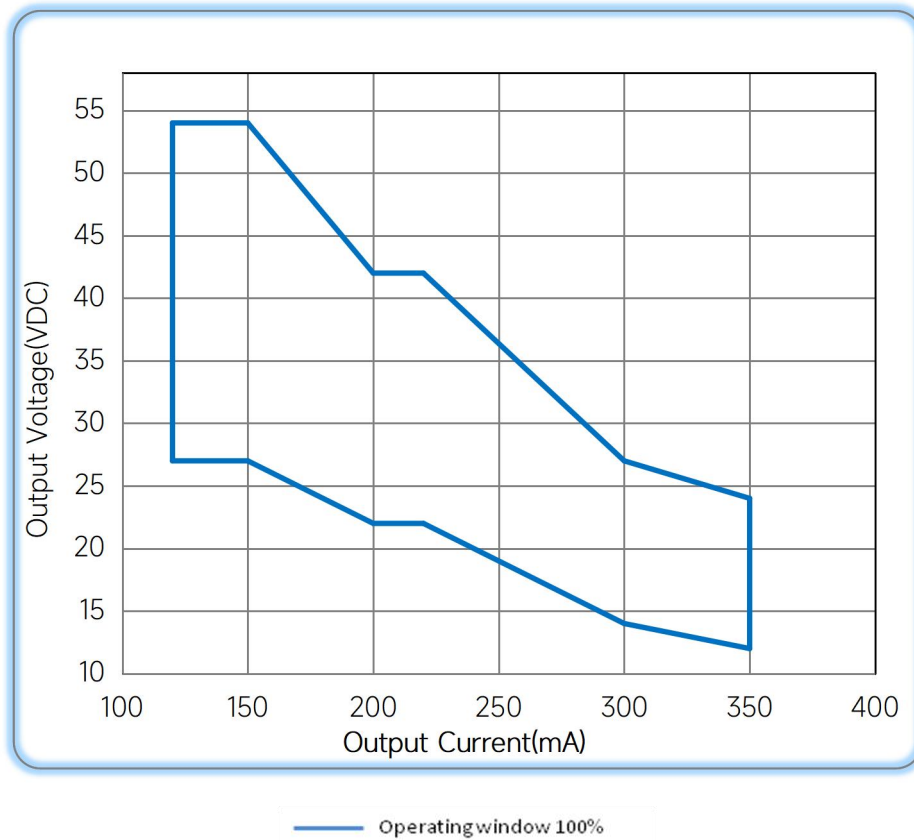
◆ Wiring & Connections

Specification item		Value (Unit)
Input	Input wire cross-section	0.5...1.5 mm ²
	Input wire gauge.	16...20 AWG
	Input wire strip length	7...9mm
Output	Output wire cross-section	0.5...1.5 mm ²
	Output wire gauge.	16...20 AWG
	Output wire strip length	7...9mm

◆ Curve for LS-8-200 LI1, I_o=200mA

Lifetime vs. Temperature Curve

Efficiency vs. Load

Power Factor Characteristics

THD vs. Load


◆ Operating window



◆ Revision Updates

ITEM	BEFORE	AFTER	VERSION	DATE
Initial			A	2022/05/15



+7 (499) 647-80-74

zakaz@citi-el.ru

www.citi-el.ru